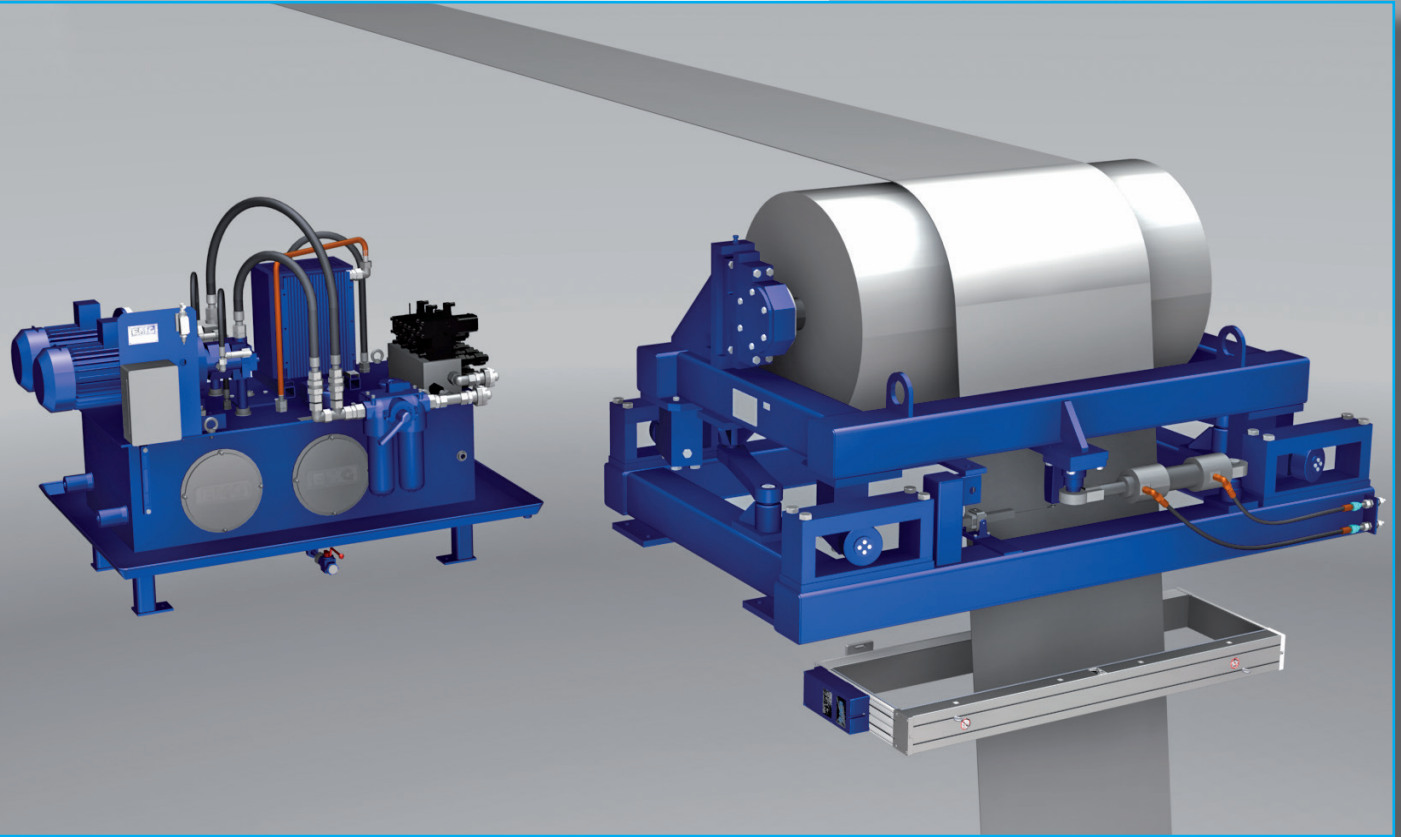


Strip guiding

Guide frames – Proportional integral steering guide



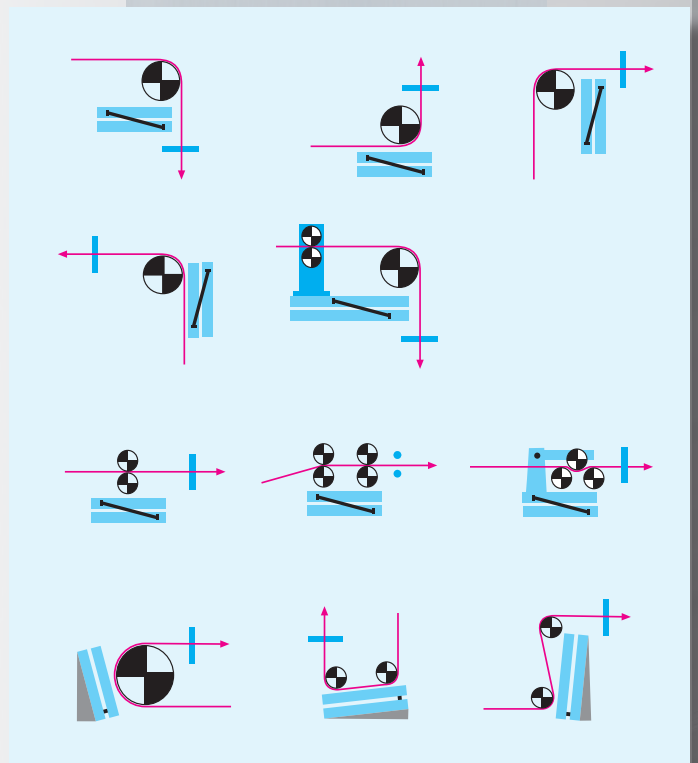
The function of the SRH steering unit is to feed the strip in a well centred manner into the strip accumulator.

Application:

Following travel over a long free strip entry span, major strip deviations may be corrected on a 90° deflector roll equipped with this guiding system, making use of the advantages of the wrapping effect. For the exit span, twice the maximum strip width is sufficient. In the case of long entry and exit span, the system can also be used together with a 180° deflector roll.

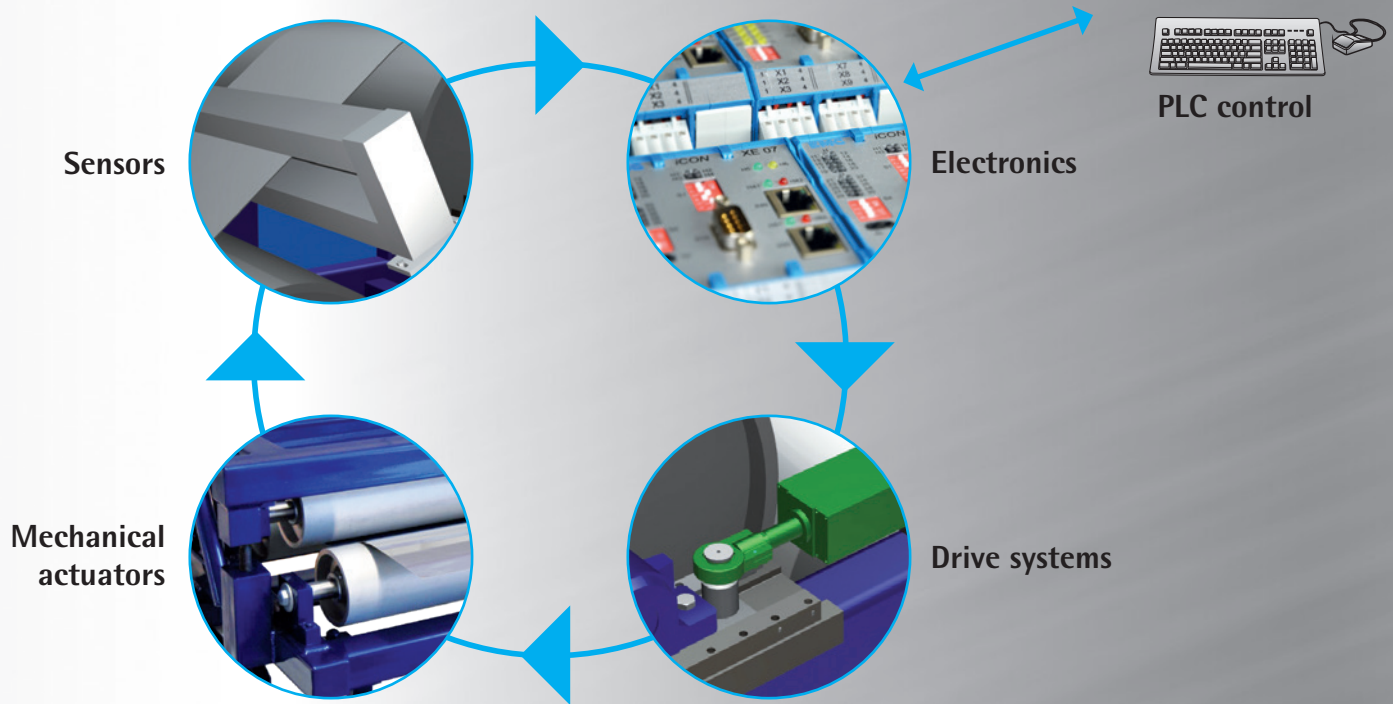
Function principle:

The tilting frame with its deflector roll is guided by two steering levers so that a suitable combination of the angle between the strip and the roll axis (I portion) and lateral displacement of the strip (P portion) is achieved. In addition to obtaining the exact position of the strip at the exit, a centring effect is also achieved at the entry span.






Strip guiding systems

Components and system configuration



Further product brochures and data sheets:

Sensors		IMH2 – Centre sensing in high temperature range
		EVK – Sensor positioner
		SMI – Inductive strip measurement
Electronics		EMG iCON® – Digital controller
Actuators		SV – Servo valve
		ESZ – Electro-Servo-Cylinder

For further technical information of our products please contact us or visit the download area on our homepage.

EMG Automation GmbH

Industriestraße 1
57482 Wenden, Germany

Phone: +49 2762 612-0
Fax: +49 2762 612-384

automation@emg-automation.com
www.emg-automation.com

eLEXIS Group

EMG perfecting your performance